

# SV100 SERIES

## HARDWARE GUIDE

<b>DESCRIPTION</b>	<b>PROJECT-OUT</b>	<b>Casement</b>
Cam Handles	Standard	Standard
Custodial Locks	Optional	Optional
Spring Latch		
Pole Ring Cam Handles		
Pushbars		
Locking Handles	Optional	Optional
4 Bar Hinges	Standard	Standard
Roto Operators	Optional	Optional
Butt Hinges		
Egress Hardware		
Friction Adjustors	Optional	Optional
Limited Opening Device	Optional	Optional
Limit Stops	Optional	Optional
Wicket Screens	Optional	Optional
ADA Hardware	Optional	Optional

To determine the recommended number of locks or combinations of locking and hinging hardware, contact DeSCO technical support for assistance.



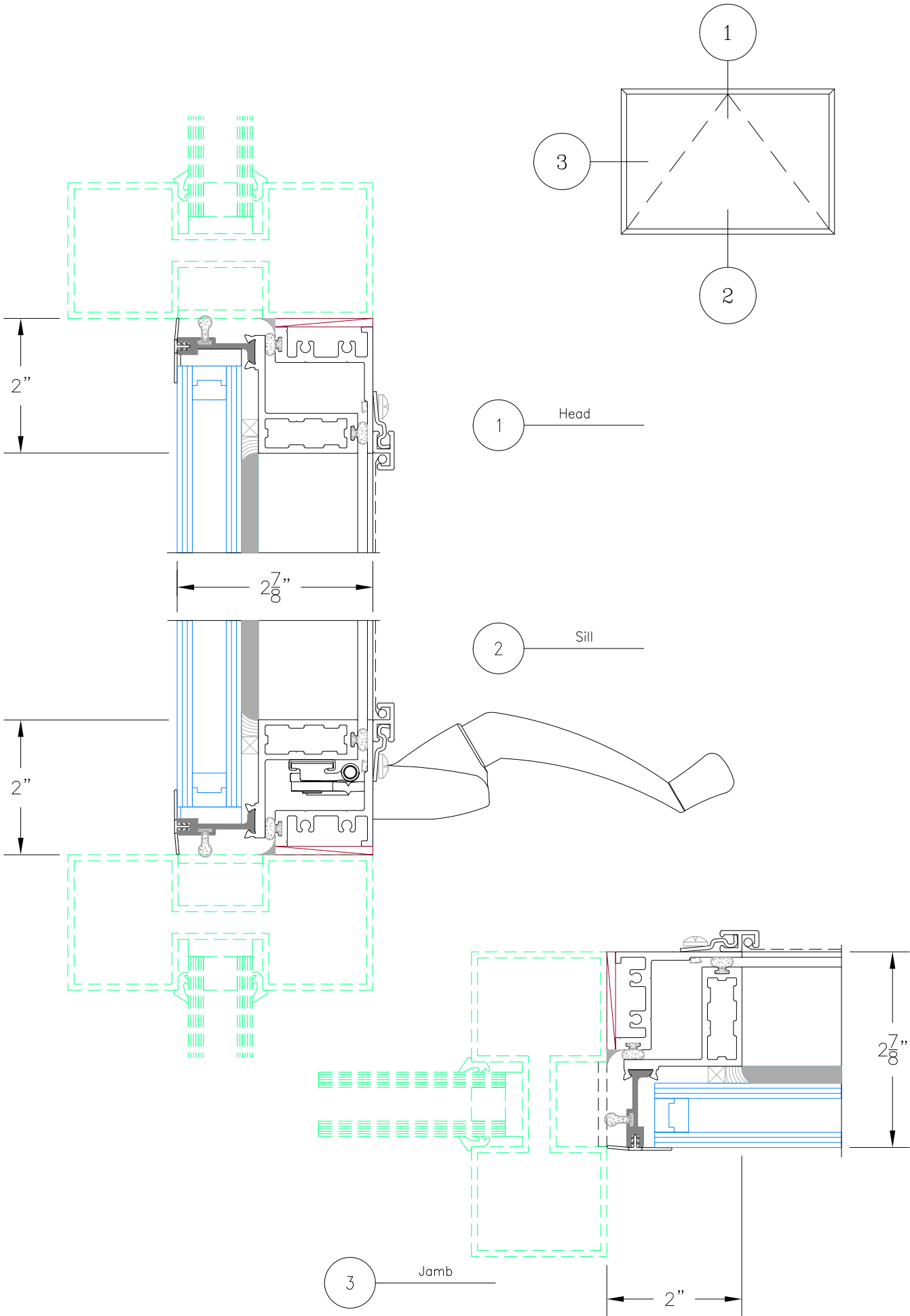
# SV100 SERIES

---

## SIZE LIMITATIONS

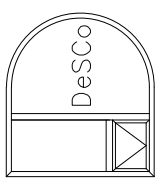
	<b>MINIMUM SIZE</b>	<b>MAXIMUM SIZE</b>
<b>Project-out vent with cam handles</b>	13" wide x 13" high	60" wide x 36" high
<b>Project-out vent with Roto Operator</b>	20" wide x 14' high	60" wide x 36" high
<b>Casement with cam handles</b>	13" wide x 13" high	36" wide x 60" high
<b>Casement with roto operator</b>	23" wide x 24" high	36" wide x 60" high

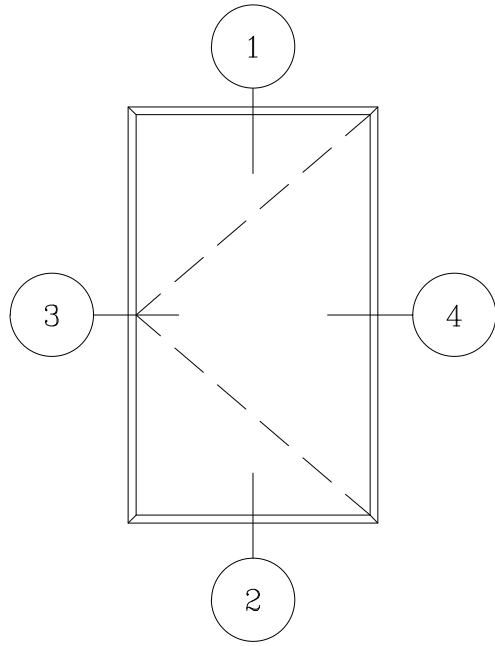
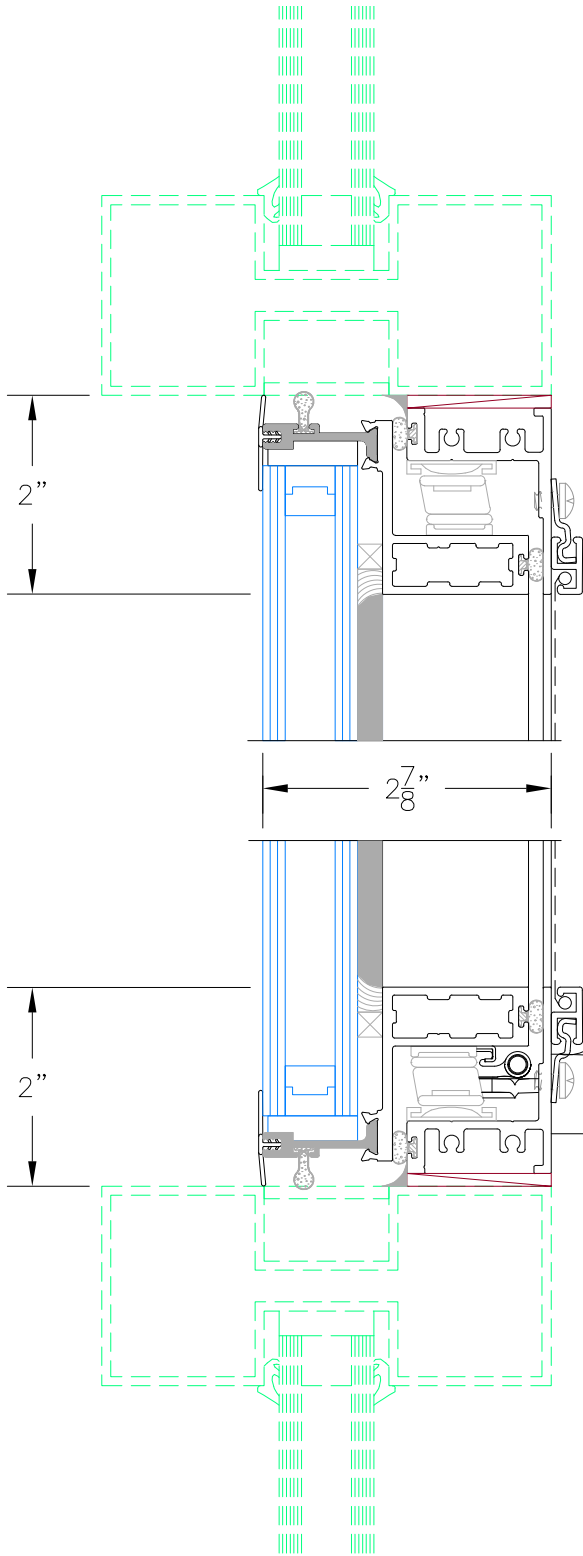
Consult DeSCo technical support for vent size limitations due to hardware limitations.



SV100 SERIES THERMAL WINDOW  
PROJECT-OUT

DeSCO Architectural, Inc.  
716 3rd Street SE  
De Smet, SD 57231  
Ph. 605-854-9126 Fax: 605-854-9127  
800-952-5534  
www.descoarc.com



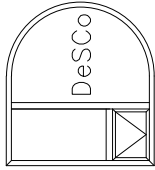


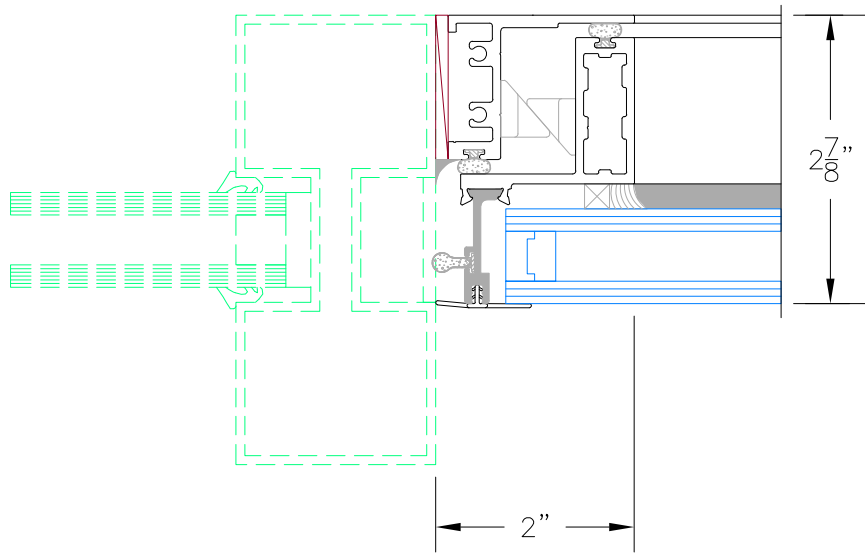
1 Head

2 Sill

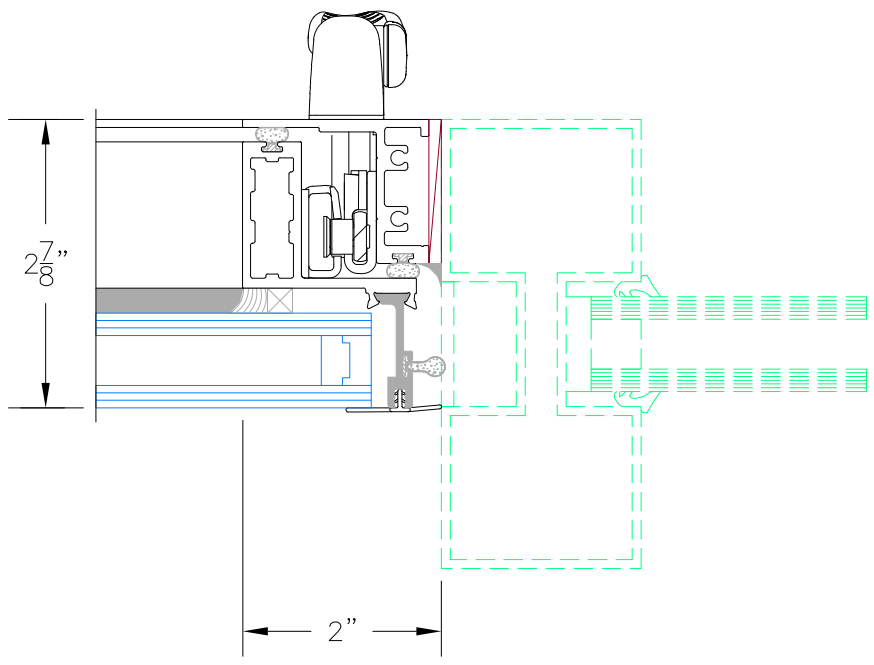
# SV100 SERIES THERMAL WINDOW CASEMENT

DeSCO Architectural, Inc.  
716 3rd Street SE  
De Smet, SD 57231  
Ph. 605-854-9126 Fax: 605-854-9127  
800-952-5534  
www.descoarc.com





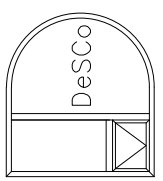
3 Jamb

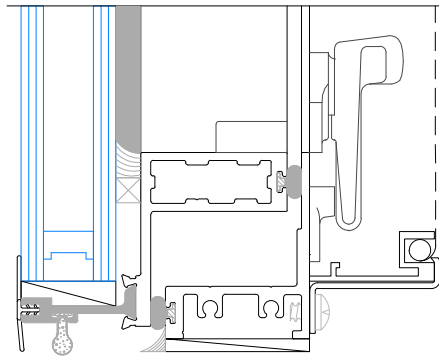


4 Jamb  
6"=1'

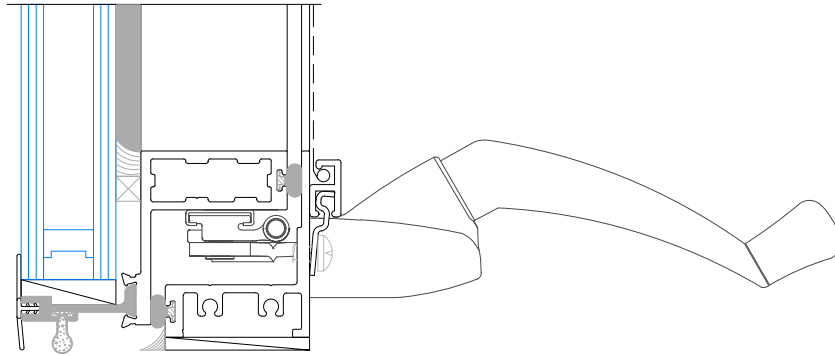
# SV100 SERIES THERMAL WINDOW CASEMENT

DeSCO Architectural, Inc.  
716 3rd Street SE  
De Smet, SD 57231  
Ph. 605-854-9126 Fax: 605-854-9127  
800-952-5534  
www.descoarc.com

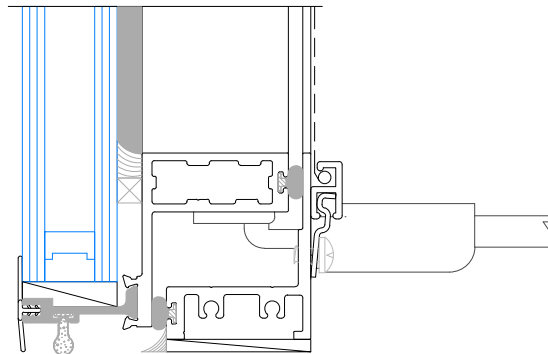




Wicket Screen  
W/Cam Handle



Screen  
W/Roto  
Operator



Screen  
W/Pushbar

Scale: Half Scale

SV100 SERIES ACCESSORIES

DeSCO Architectural, Inc.  
716 3rd Street SE  
De Smet, SD 57231  
Ph. 605-854-9126 Fax: 605-854-9127  
800-952-5534  
www.descoarc.com

